



## Flowmeters for liquids OC - FLOW

**OC-FLOW** Flowmeters are volumetric turbines of high precision, designed for metering of liquids. They are made of PVDF (Polyvinylidenfluorid) and are completely resistant to most aggressive chemicals. They are extremely reliable, operate at any position and can measure small flow rates during long time intervals or large rates during short time periods. The installation is simple and the achieved accuracy very high.

The layout of the measuring chamber assures that the air bubbles in the liquid practically do not influence the measuring accuracy. The impeller is optically scanned and the output frequency is linear proportional to the flow rate.



The Flowmeters are made with threads or with house fittings and find their applications in the chemical and the nutritive industry, refineries, water treatment stations, batch controllers and filling machines, mixers, laboratories and many other industrial sectors. They can be directly connected to Orbit Controls monitors, controllers, batch counters, tachometers, integrators and transmitters.

Call Orbit Controls AG for datasheets to flow monitors and controllers.

### FLOW RANGES

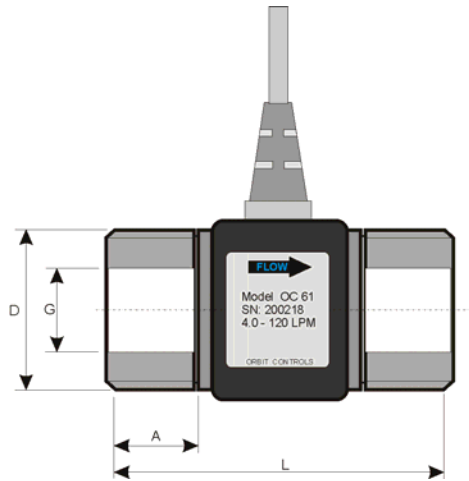
Type	Range (LPM)	K-Factor < 5 cst (Imp/litre)	Output (Hz)
OC XXX-1X-X	0.1 - 2.0	36000	60.00 - 1200
OC XXX-2X-X	0.3 - 9.0	8000	40.00 - 1200
OC XXX-3X-X	0.5 - 15.0	3200	26.66 - 800
OC XXX-4X-X	1.0 - 30.0	1200	20.00 - 600
OC XXX-5X-X	2.5 - 75.0	450	18.75 - 562
OC XXX-6X-X	4.0 - 120.0	225	15.00 - 450

### SPECIFICATIONS

Accuracy:	1% (OC 100-XX-X) or 3% (OC 300-XX-X) from value
Repeatability:	0.1% from value
Linearity:	1% (OC 100-XX-X) or 3% (OC 300-XX-X) from value
Temperature:	Working: -40 ... +80 °C
Maximum pressure:	10 bar
Pressure loss:	0.05 to 2.0 bar between 5% and 100% of the measuring range
Viscosity:	max. 15 cSt
Connections:	Metric thread, BSP, NPT or hose fittings
Supply:	5 - 12V DC, 6 - 33 mA
Output:	Direct pulse output, max. load 10kOhm. Three wire connection.

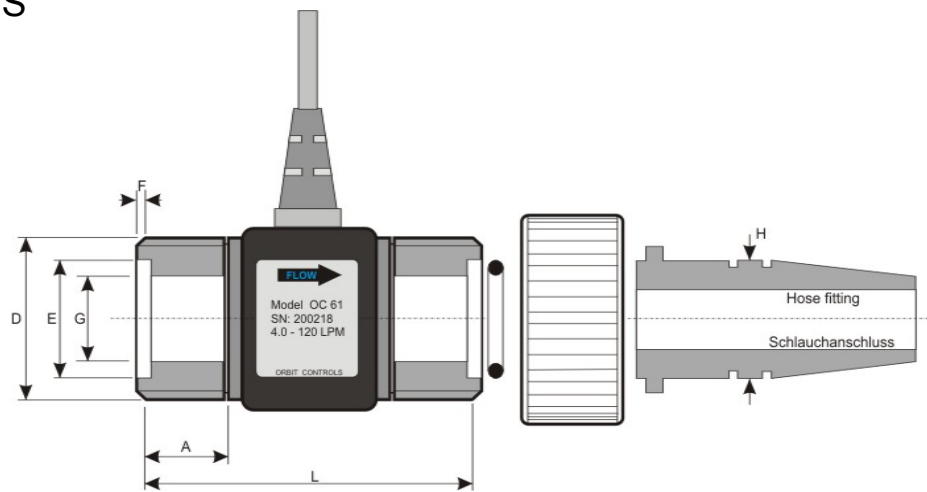
The information and data are based upon tests, material and records which we consider reliable. Before commercial utilization it is recommended to check each application thoroughly and, irrespective of the technical data, to make sure of the appropriateness of the application.

## B.S.P. or N.P.T. CONNECTIONS



Typ	A (mm)	D (mm)	d (mm)	L (mm)
OC XXX-1X-X	9,5	1/4"	6,5	39
OC XXX-2X-X	12,7	1/2"	13	47
OC XXX-3X-X	12,7	1/2"	13	47
OC XXX-4X-X	18,5	3/4"	17	63
OC XXX-5X-X	24,5	1 1/4"	29	80
OC XXX-6X-X	24,5	1 1/4"	29	80

## HOSE FITTINGS



Type	A	D	E	F	G	H	L	Length (mm)
OC XXX-1X-X	9	M12x1,5	1,5	1,5	6,5	6,9	39	96
OC XXX-2X-X	12	M20x2	1,8	1,8	12	9	43	112
OC XXX-3X-X	12	M20x2	1,8	1,8	12	12	43	116
OC XXX-4X-X	16	M27x2	2,3	2,3	16	16	57	136
OC XXX-5X-X	16,5	BSP 1"	1,6	1,6	24,5	19,5	80	182
OC XXX-6X-X	16,5	BSP 1"	1,6	1,6	24,5	24,5	80	183

### TO ORDER

	OC	-	XX	X	-	X	X	-	X
Accuracy 1% -----			10						
Accuracy 3% -----			30						
Output Signal Square Wave -----			0						
Output Signal Sinus -----			1						
0.1 - 2.0 LPM -----				1					
0.3 - 9.0 LPM -----				2					
0.5 - 15.0 LPM -----				3					
1.0 - 30.0 LPM -----				4					
2.5 - 75.0 LPM -----				5					
4.0 - 120.0 LPM -----				6					
Supply 5-12VDC -----							0		
Supply 8-24VDC -----							1		
Standard metric thread -----									S
Flexible Hose Fittings -----									H
BSP thread -----									B
NPT thread -----									N

### ORBIT CONTROLS AG

Zürcherstrasse 137  
CH-8952 Schlieren/ZH  
Switzerland

Tel: +41 44 730 2753

Fax: +41 44 730 2783

info@orbitcontrols.ch  
www.orbitcontrols.ch